

Datasheet

LNF-LNC4_8SG

4-8 GHz Cryogenic Low Noise Amplifier



Product Features

RF Bandwidth	4-8 GHz
Noise Temperature	1.5 K
Noise Figure	0.02 dB
Gain	40 dB
DC power (typical)	$V_{ds} = 0.6 \text{ V}$, $I_{ds} = 13 \text{ mA}^*$
RF Connectors	Male G3PO
DC Connectors	5-pin Female Strip
One gate and one drain supply only	

*See test report for actual optimum bias for your unit

Absolute maximum ratings

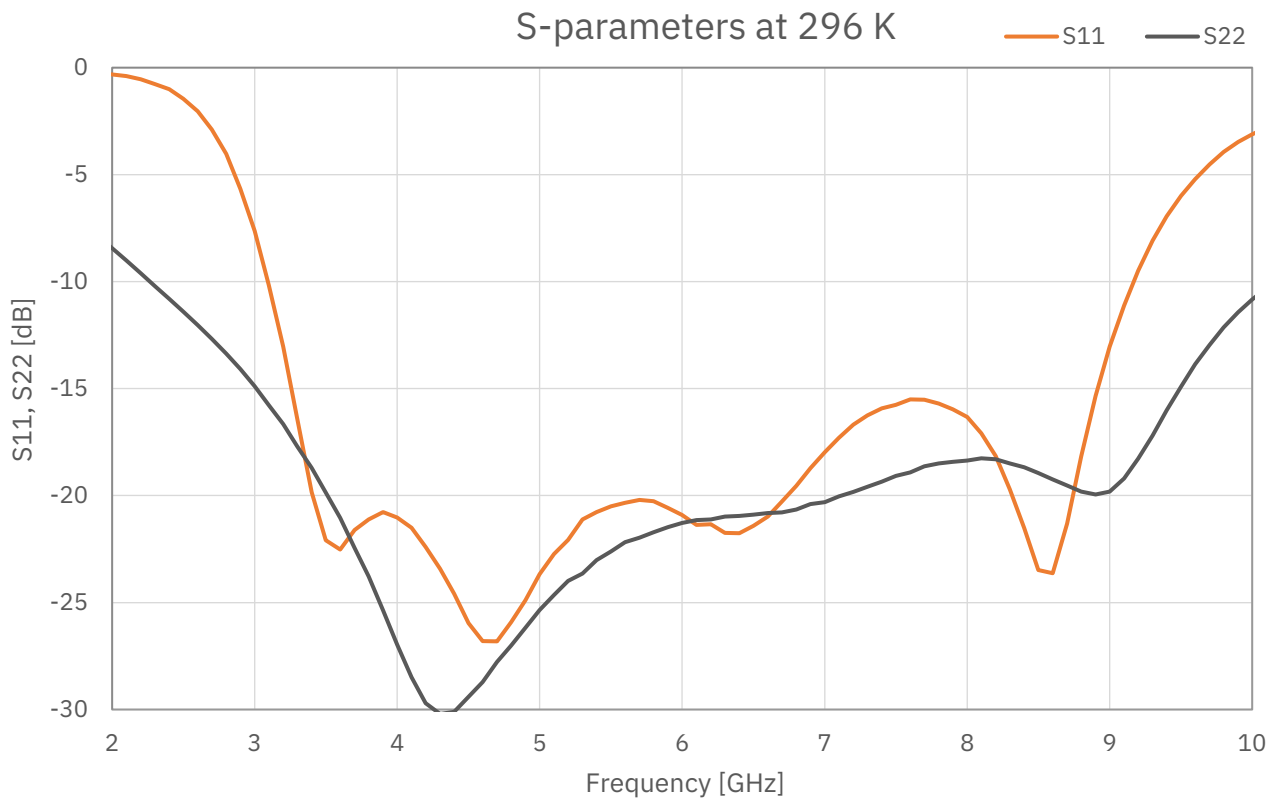
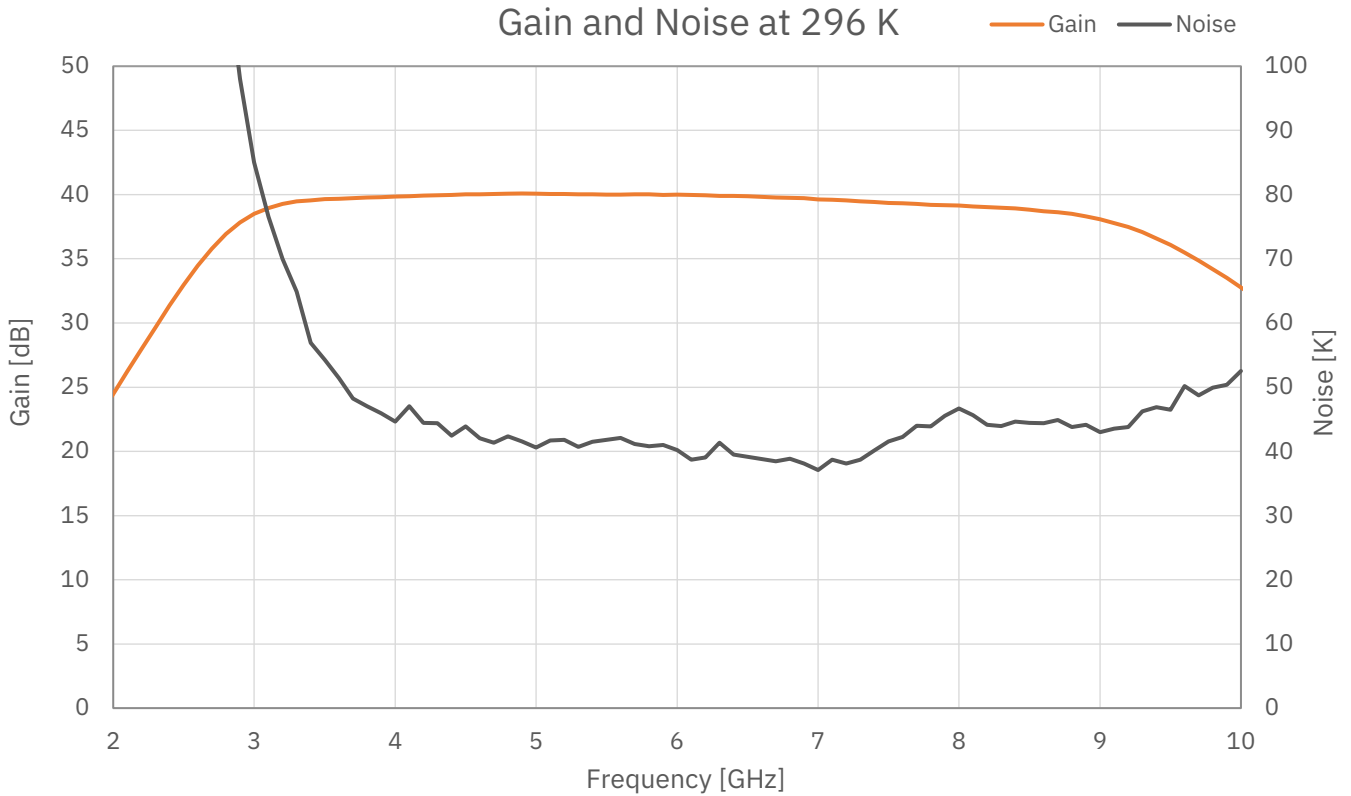
Parameter	Min	Max
V_{ds}	-0.5 V	2.7 V
I_{ds}		100 mA
V_{gs}	-20 V	20 V
DC Voltage on Input and Output	-30 V	30 V
RF Input Power		0 dBm
Operating Temperature	< 3 K	40 °C

Typical Characteristics

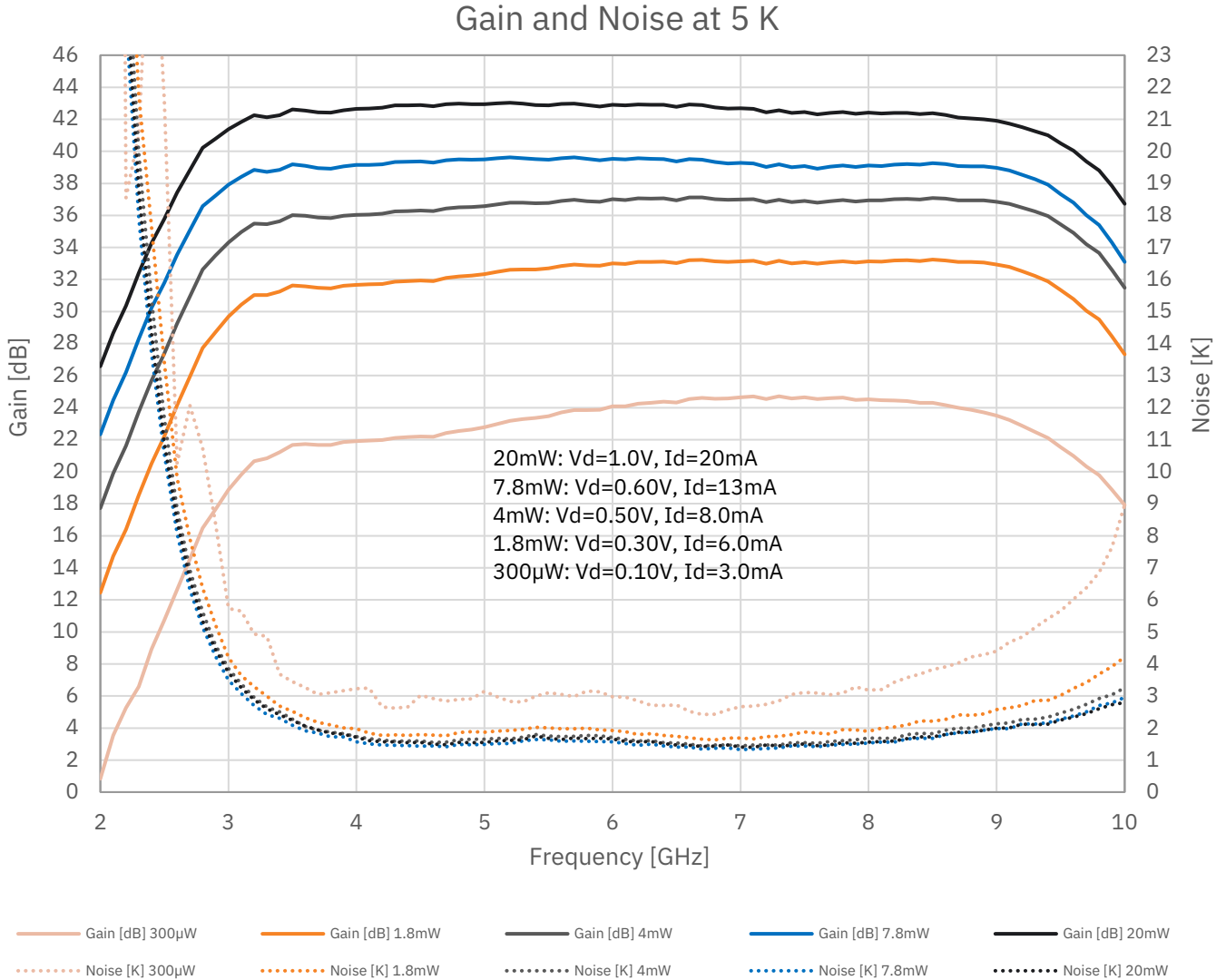
Parameter	Value	Unit
V_{gs}	+1.87	V
IRL	15	dB
ORL	18	dB
Output P1dB	TBD	dBm
OIP3	TBD	dBm
Weight	2	grams

LNF-LNC4_8SG is an ultra-low noise cryogenic amplifier using LNF's proprietary InP HEMT technology. The LNA is packaged in a module using Corning Gilbert G3PO coaxial connectors and a 5-pin strip DC connector. The lightweight gold plated aluminum body measures 15.48x13.80x3.556 mm. The LNA is stackable with a 140 mil pitch. The LNA is not hermetic and must be operated in a vacuum environment when below the dewpoint. All amplifiers are tested at 296 and 5 K and delivered with a test report.

Measured data, $T_{amb} = 296\text{ K}$



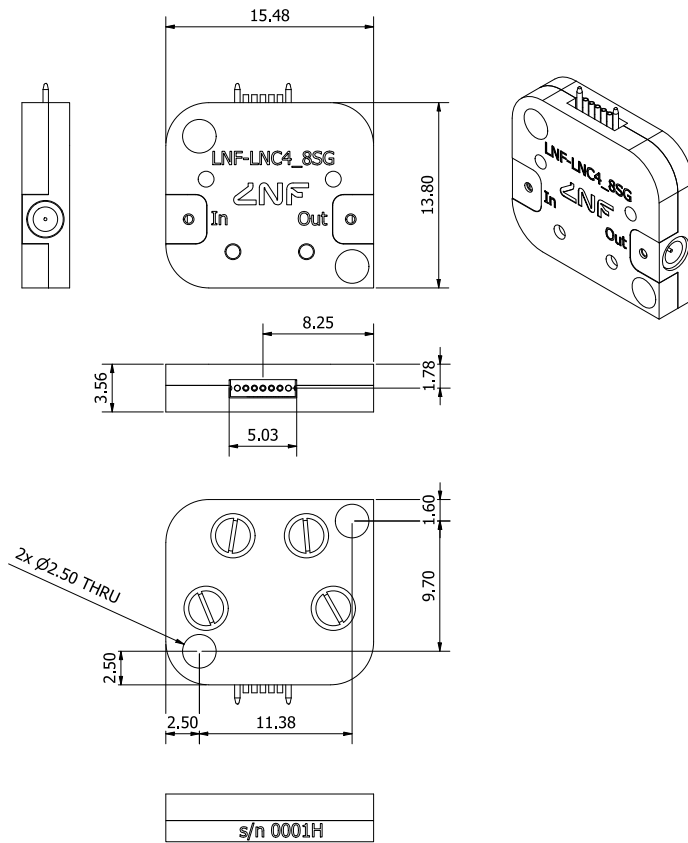
Measured data, $T_{amb} = 5\text{ K}$



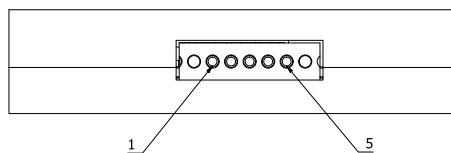
* Test report submitted with each delivered LNA might vary slightly from this datasheet due to the G3PO to SMA adaptors used in our test systems not being corrected for.

Dimensions and wiring

Units: mm



5-pin strip connector seen from outside the LNA (engraved text upward)



Pin	Function	Wire color
1	GND	Black
2	Vd	Brown
3	Vg	Red
4	NC	Orange
5	NC	Yellow

Biasing procedure

For safe operation of the LNA, please carefully follow the instructions below. Always honor the maximum ratings stated in the datasheet.

A. With constant current supply, e.g. LNF-PS_3, LNF-PS3b and LNF-PS_EU2

Power up:

1. Switch on the power supply
2. Double check that V_d is set to the nominal voltage in the datasheet
3. Connect the LNA's RF input and output to your grounded test set-up
4. Connect the power supply to the LNA
5. Check that the measured I_{ds} is equal to the nominal value in this datasheet. Tune to the correct value if necessary.
6. Before starting a cool down, make sure that the power supply is set to the stated values at 5K. Do not cool down with the power supply set to the room temperature values.

Power down:

1. Disconnect the power supply from the LNA
2. Switch off the power supply

B. With constant voltage supply, e.g. LNF-PS_1

Power up:

1. Switch on the power supply
2. Set V_d and V_g to the nominal voltages stated in this datasheet
3. Connect the LNA's RF input and output to your grounded test set-up
4. Connect the power supply to the LNA
5. Fine tune V_g to get the nominal I_{ds} stated in this datasheet. The actual V_g can deviate a bit from the value in the datasheet depending on ground wire resistance in your set-up.
6. Before starting a cool down, make sure that the power supply is set to the stated values at 5K. Do not cool down with the power supply set to the room temperature values.

Power down:

1. Disconnect the power supply from the LNA
2. Switch off the power supply